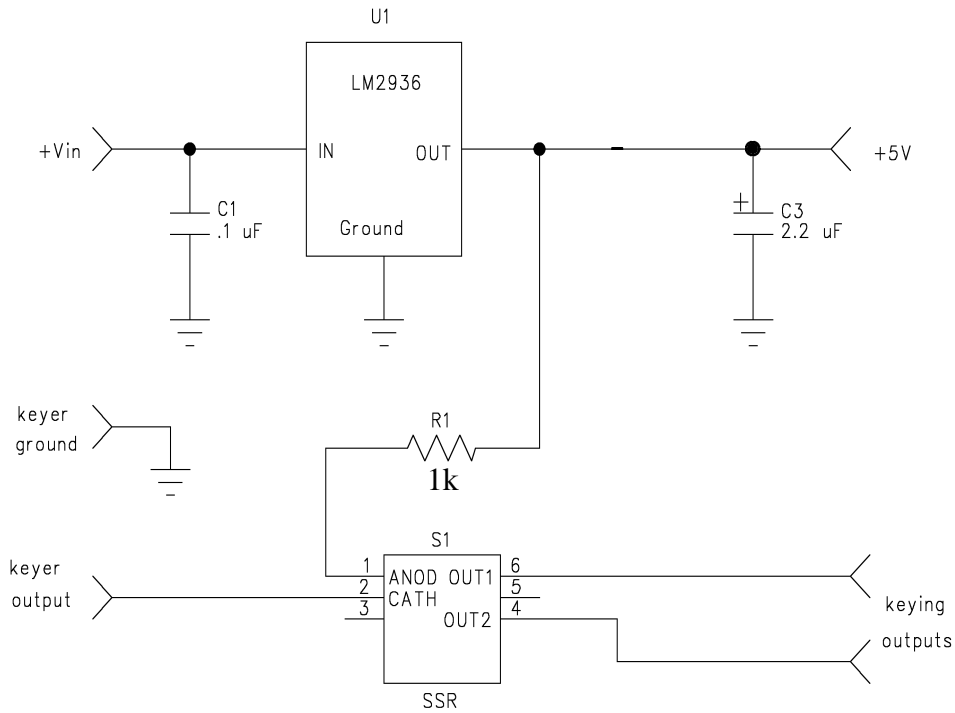
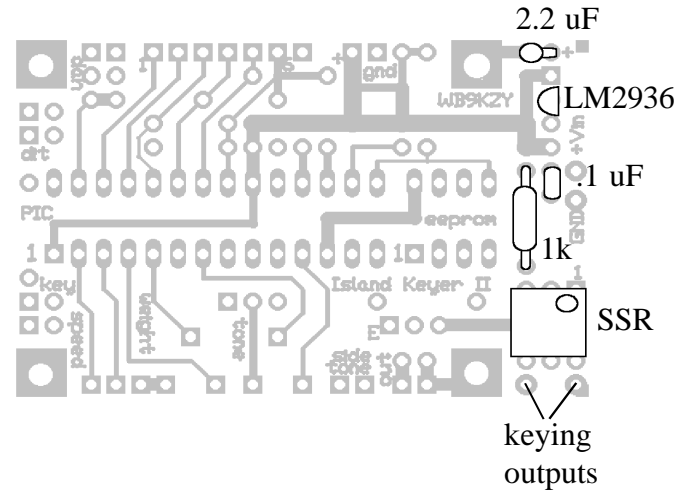


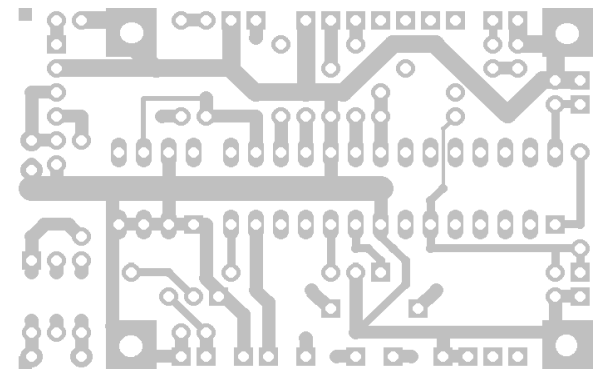
# Island Keyer II Extension Schematic



# Parts Placement diagram top view circuit board



# bottom view circuit board



Jackson Harbor Press  
 jacksonharbor@att.net  
<http://jacksonharbor.home.att.net>