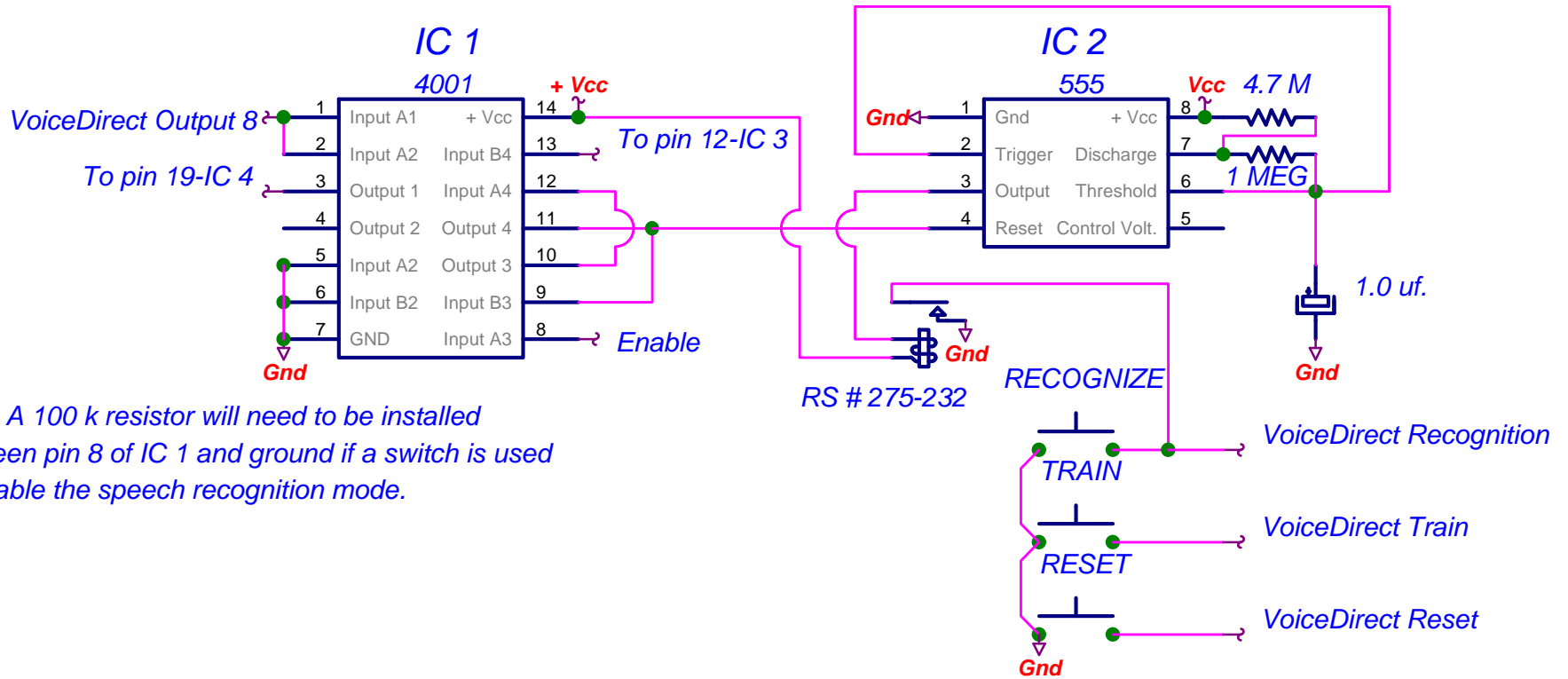


VoiceDirect/X-10 Control/Timer Interface

Copyright (c) 2000-Dennis Shepard/Shepard Engineering Concepts



Note: A 100 k resistor will need to be installed between pin 8 of IC 1 and ground if a switch is used to enable the speech recognition mode.