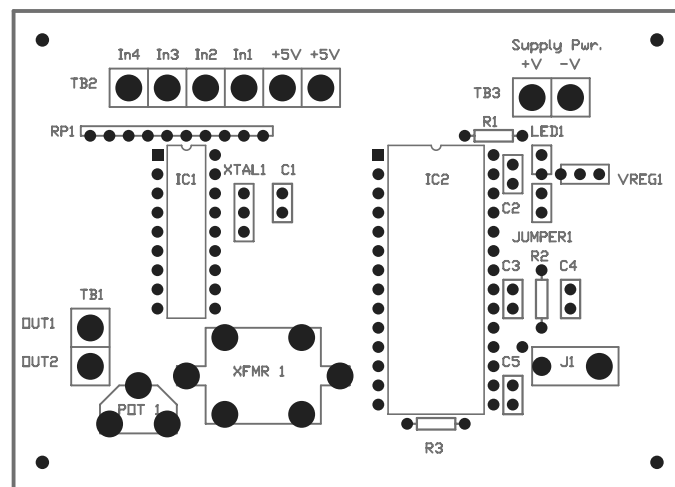


SPEECH Check Plot



SPEECH Check Plot