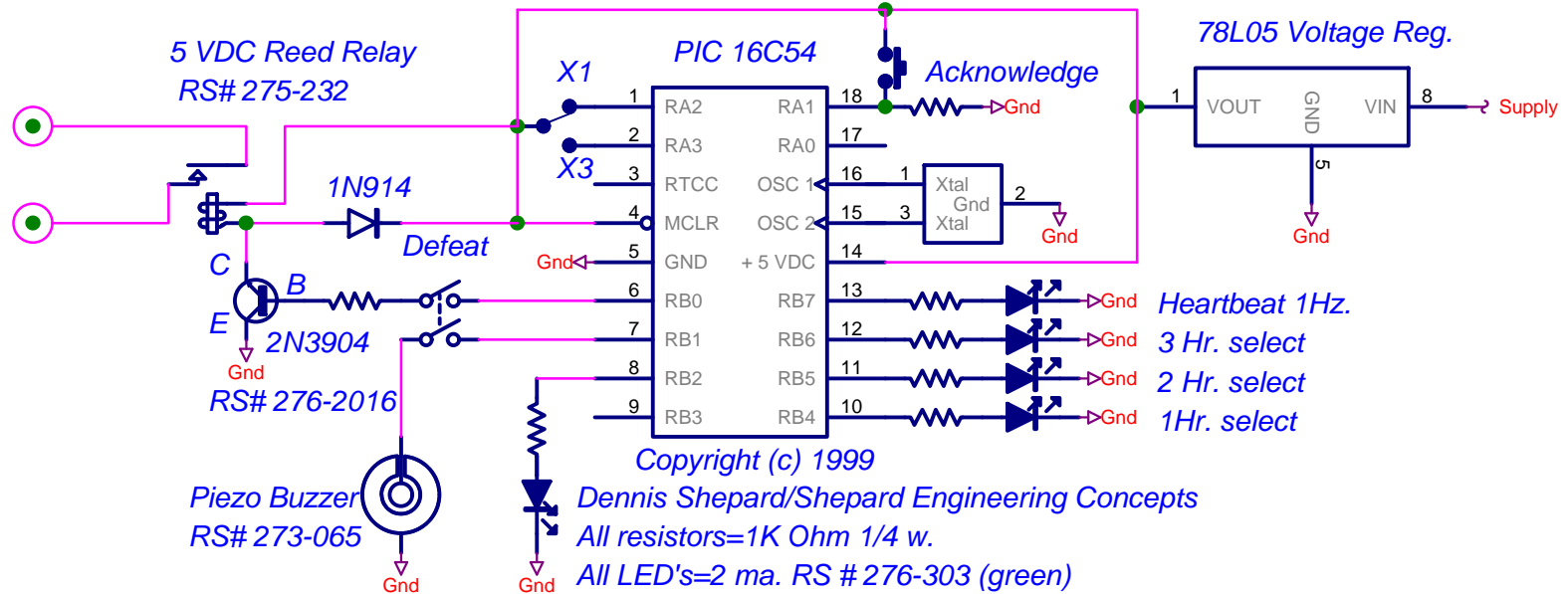


# 1-2-3 Hour Medication Timer



Copyright (c) 1999  
 Dennis Shepard/Shepard Engineering Concepts  
 All resistors=1K Ohm 1/4 w.  
 All LED's=2 ma. RS # 276-303 (green)  
 or RS # 276-310 (red)