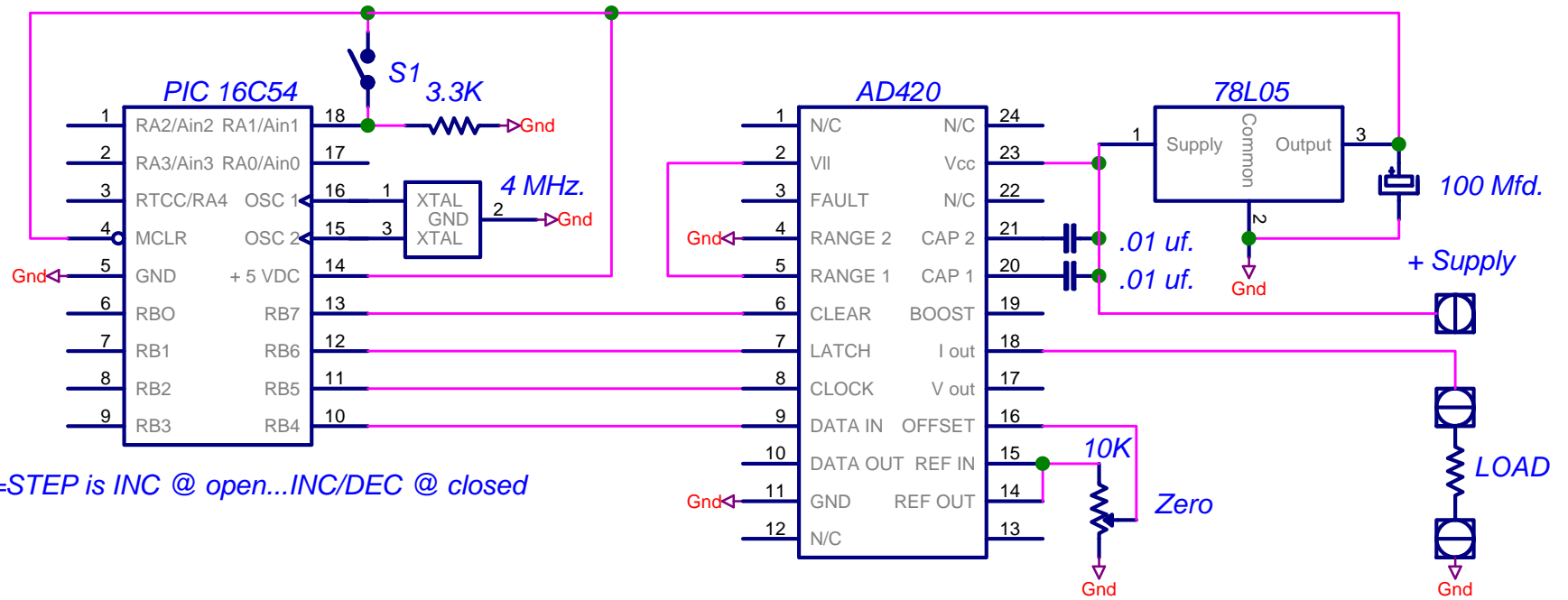


AutoCal/Automatic Loop Calibrator

Copyright (c) 1999-Dennis Shepard/Shepard Engineering Concepts



S1=STEP is INC @ open...INC/DEC @ closed